

Activity Tunnel



Please keep this instruction sheet for future reference, as it contains important information.

Requires three "AA" (LR6) **alkaline** batteries (not included).

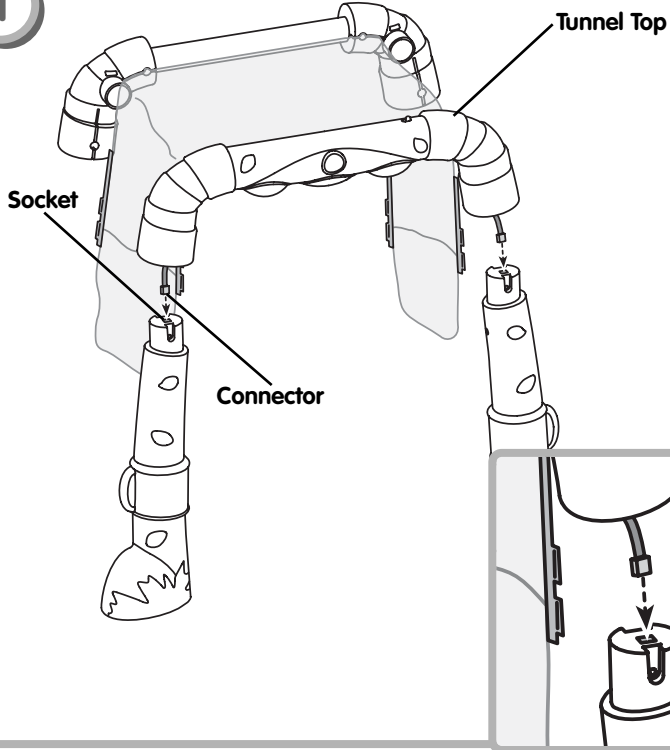
Adult assembly is required.

Tool required for assembly: Phillips screwdriver (not included).



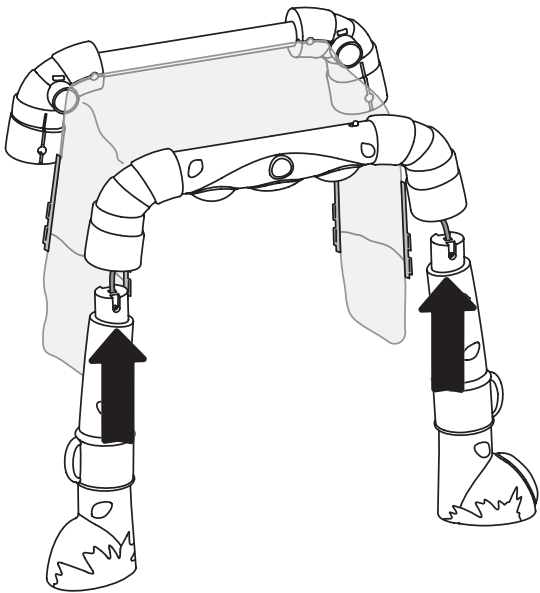
Assembly

1



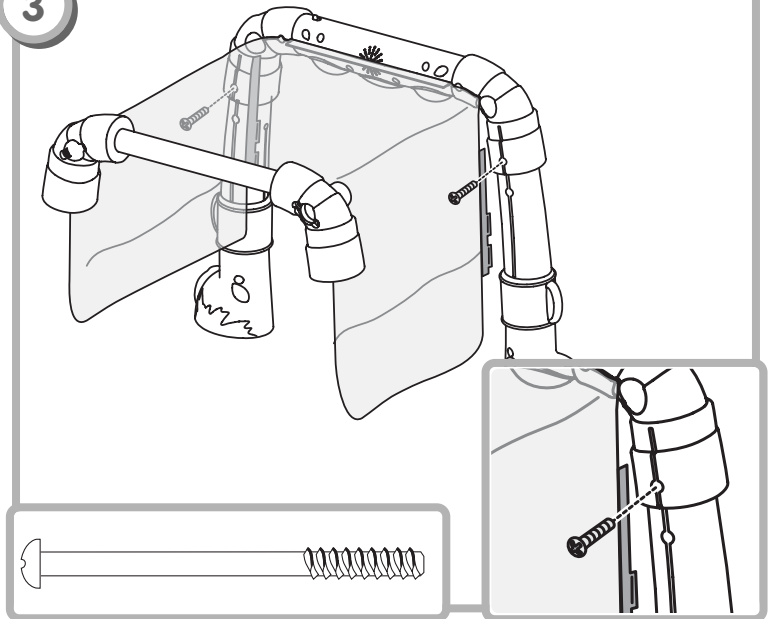
- Locate the two legs with sockets in the top.
- Locate the two connector wires coming from the tunnel top.
- Insert and “snap” each connector into the matching socket, as shown.

2



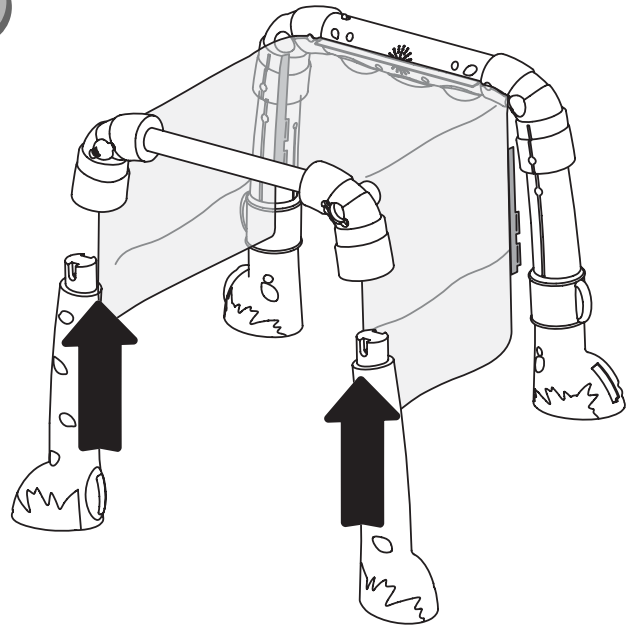
- Fully insert the two legs into the openings in the tunnel top.

3



- Turn the assembly around and insert two 2" screws through the tunnel top and into each leg, as shown. Tighten the screws.

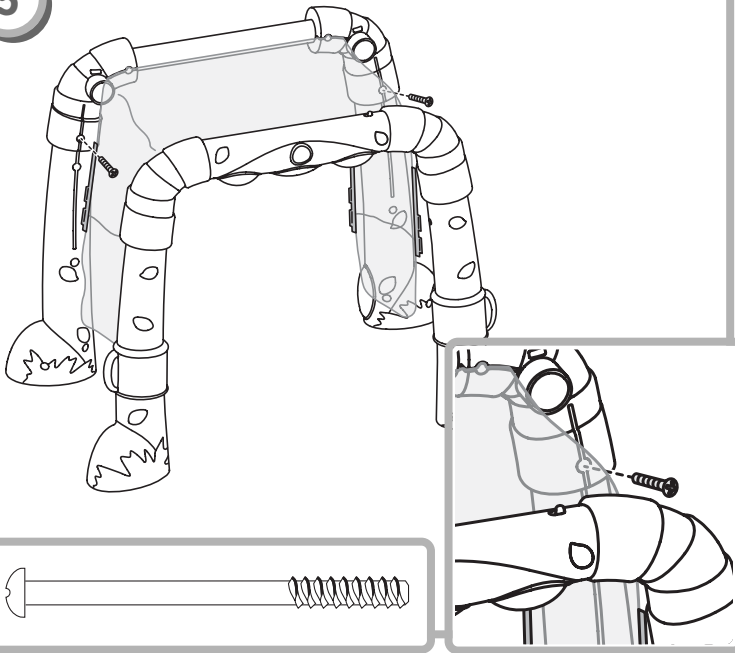
4



- Fully insert the other two legs into the openings in the tunnel top.
Hint: The legs will only fit one way.

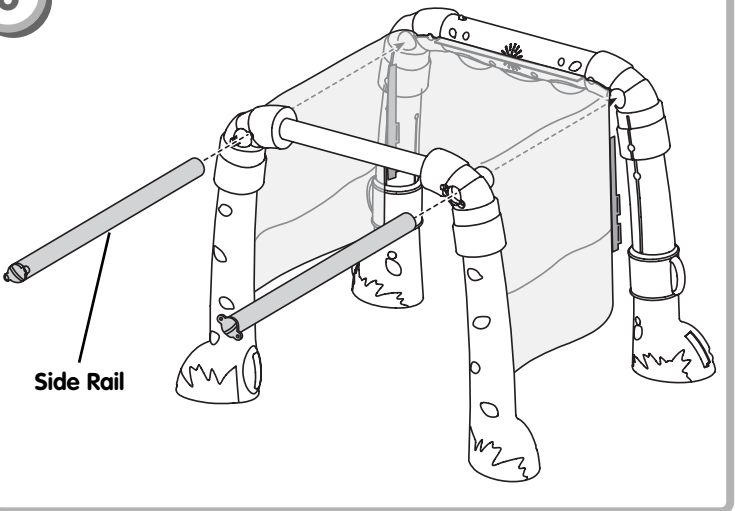
Assembly

5



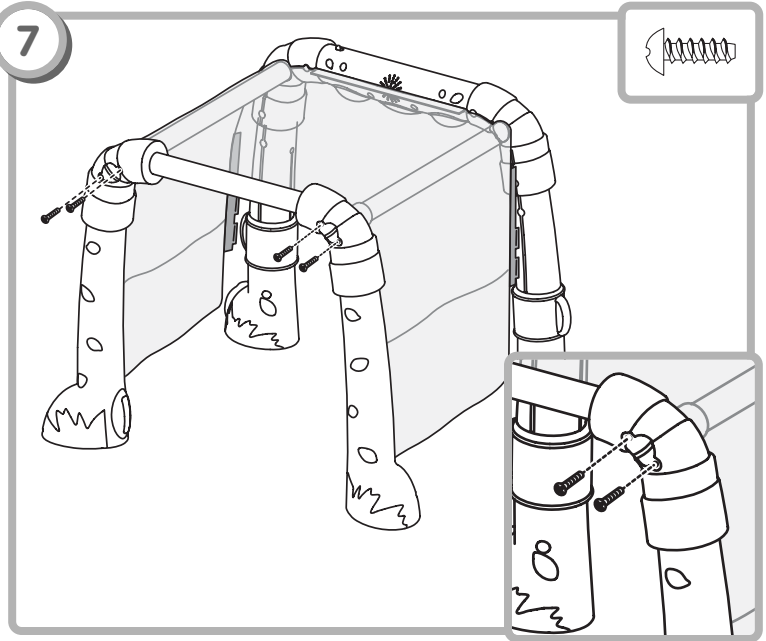
- Turn the assembly around again and insert two 2" screws through the tunnel top and into each leg, as shown. Tighten the screws.

6



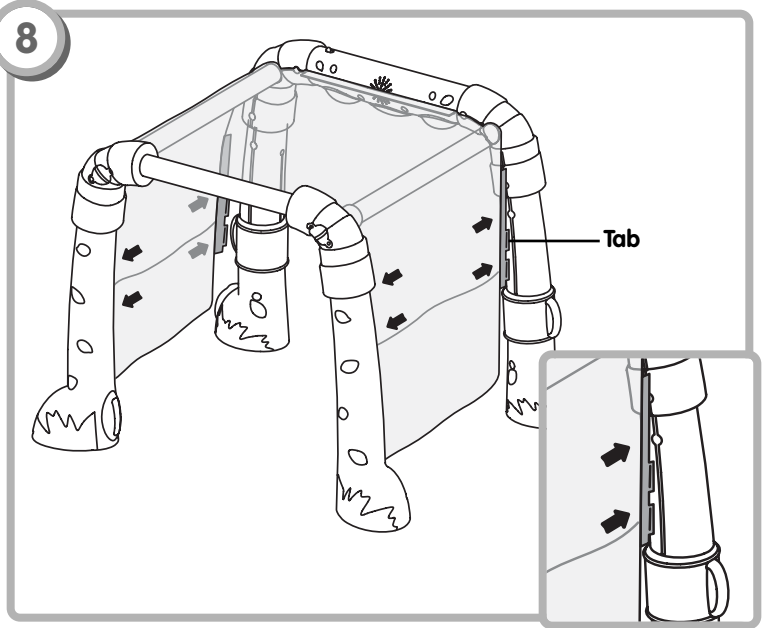
- Fit the smaller end of one side rail into the hole in the tunnel.
- Push the side rail so that it slides through the fabric tube in the tunnel and emerges at the other end.
- Repeat this procedure to insert the other side rail.

7



- Insert two $\frac{3}{8}$ " screws into the holes in the end of each side rail. Tighten the screws.

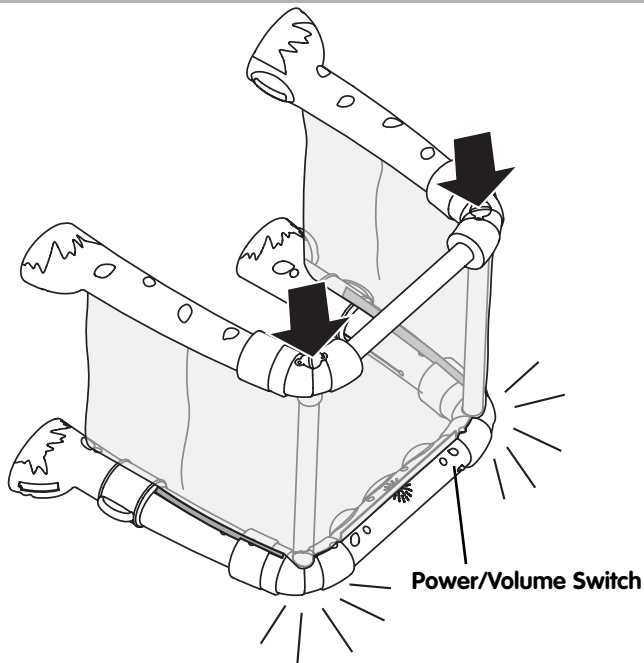
8



- Insert and "snap" each of the eight tabs on the mesh into the matching slots in the legs to secure the mesh.

Assembly

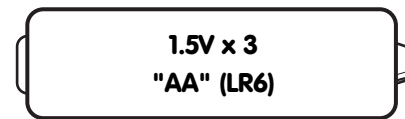
9



- Set the assembly on its side with the power/volume switch side down.
- Press down firmly on the ends of the tunnel top to “snap” the side rails in place.

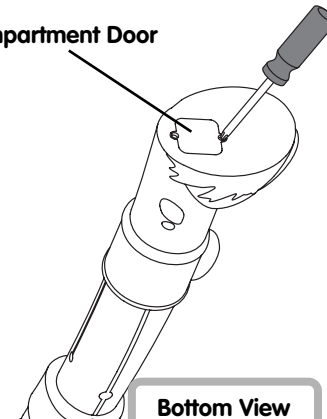
Hint: This may require some force.

Battery Installation



Shown Actual Size

Battery Compartment Door



- Locate the battery compartment on the bottom of one leg.
- Loosen the screws in the battery compartment door with a Phillips screwdriver. Remove the battery compartment door.
- Insert three “AA” (LR6) **alkaline** batteries, as indicated inside the battery compartment.

Hint: We recommend using **alkaline** batteries for longer life.

- Replace the battery compartment door and tighten the screws with a Phillips screwdriver. Do not over-tighten.
- When lights or sounds from this toy become faint or stop, it's time for an adult to change the batteries!

Battery Safety Information

In exceptional circumstances batteries may leak fluids that can cause a chemical burn injury or ruin your product. To avoid battery leakage:

- Do not mix old and new batteries or batteries of different types: alkaline, standard (carbon-zinc) or rechargeable (nickel-cadmium).
- Insert batteries as indicated inside the battery compartment.
- Remove batteries during long periods of non-use. Always remove exhausted batteries from the product. Dispose of batteries safely. Do not dispose of product in a fire. The batteries inside may explode or leak.
- Never short-circuit the battery terminals.
- Use only batteries of the same or equivalent type, as recommended.
- Do not charge non-rechargeable batteries.
- Remove rechargeable batteries from the product before charging.
- If removable, rechargeable batteries are used, they are only to be charged under adult supervision.

Fun Music Lights and Activities!



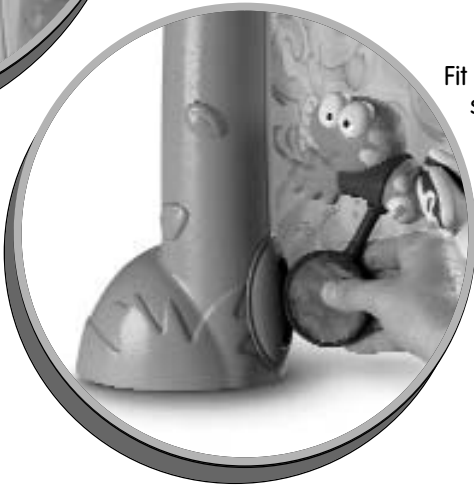
Power/Volume Switch

Action Button



- Locate the volume switch on the top of the toy.
- Slide the switch to the desired position: on with low volume ; on with high volume ; or Off .
- A sensor in the tunnel also knows when baby crawls through and activates dancing lights and lively music.
- Press the action button on the top of the tunnel for fun lights and music.

Note: After a few minutes of inactivity, the tunnel “goes to sleep.” To “wake up” the tunnel, simply press the action button again.



Fit the three hanging toys into any of the slots around the tunnel.

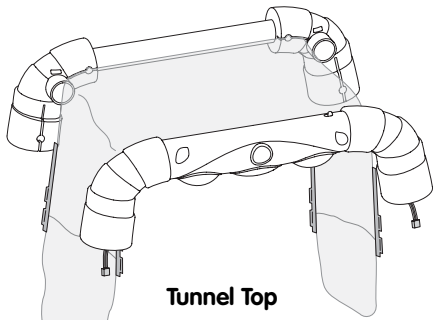
Hint: When baby is ready to crawl, move the toys to the back of the tunnel to encourage baby to crawl through!



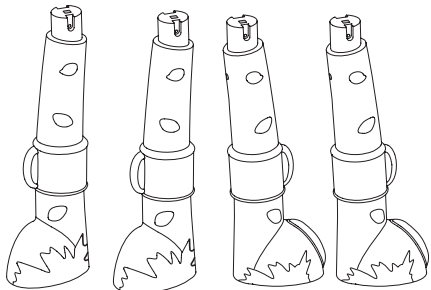
⚠ CAUTION

This toy contains small parts
in its unassembled state.
Adult assembly is required.

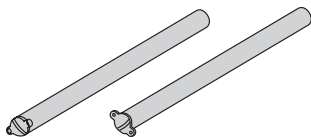
Parts



Tunnel Top



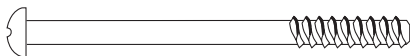
4 Legs



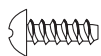
2 Side Rails

Not Shown: 3 Hanging Toys

Screws Shown Actual Size



#6 x 2" Screw - 4



#6 x 3/8" Screw - 4

Note: Tighten or loosen all screws with a Phillips screwdriver.
Do not over-tighten the screws.

Care

- Wipe this toy with a clean cloth dampened with a mild soap and water solution. Do not immerse this toy.
- This toy has no consumer serviceable parts. Do not take this toy apart.

Consumer Information

Visit us on-line at www.service.fisher-price.com.

Call Fisher-Price® Consumer Relations, toll-free at **1-800-432-5437**, 8 AM - 6 PM EST Monday through Friday. Hearing-impaired consumers using TTY/TDD equipment, please call 1-800-382-7470. Or, visit us on line at www.service.fisher-price.com.

Or write to: Fisher-Price® Consumer Relations, 636 Girard Avenue, East Aurora, New York 14052.

FCC Note (United States Only)

Note: This equipment has been tested and found to comply with the limits for a Class B digital device, pursuant to Part 15 of the FCC Rules. These limits are designed to provide reasonable protection against harmful interference in a residential installation. This equipment generates, uses and can radiate radio frequency energy and, if not installed and used in accordance with the instructions, may cause harmful interference to radio communications. However, there is no guarantee that interference will not occur in a particular installation. If this equipment does cause harmful interference to radio or television reception, which can be determined by turning the equipment off and on, the user is encouraged to try to correct the interference by one or more of the following measures:

- Reorient or relocate the receiving antenna.
- Increase the separation between the equipment and receiver.
- Consult the dealer or an experienced radio/TV technician for help.

Note: Changes or modifications not expressly approved by the manufacturer responsible for compliance could void the user's authority to operate the equipment.

For countries outside the United States:

CANADA

Questions? **1-800-432-5437**. Mattel Canada Inc., 6155 Freemont Blvd., Mississauga, Ontario L5R 3W2; www.service.mattel.com.

GREAT BRITAIN

Mattel UK Ltd, Vanwall Business Park, Maidenhead SL6 4UB. Helpline: 01628 500303; www.service.mattel.com/uk.

AUSTRALIA

Mattel Australia Pty. Ltd., 658 Church Street, Locked Bag #870, Richmond, Victoria 3121 Australia. Consumer Advisory Service 1300 135 312.

NEW ZEALAND

16-18 William Pickering Drive, Albany 1331, Auckland.

ASIA

Mattel East Asia Ltd, Room 1106, South Tower, World Finance Centre, Harbour City, Tsimshatsui, HK, China.